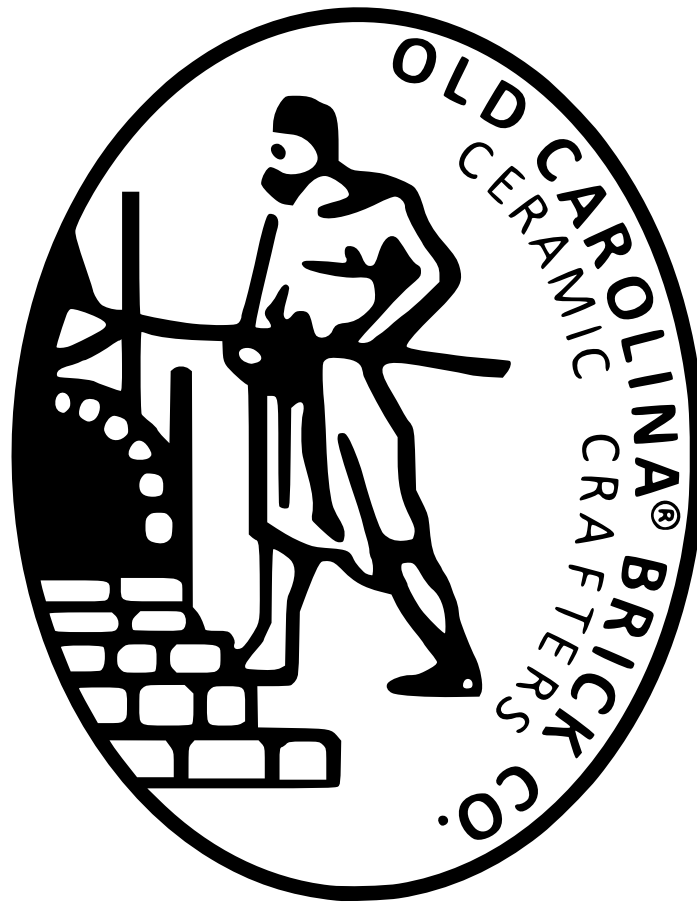


HANDMADE SHAPES



Old Carolina[®] Brick Company

Genuine Handmade Brick

475 MAJOLICA RD SALISBURY, NC 28147

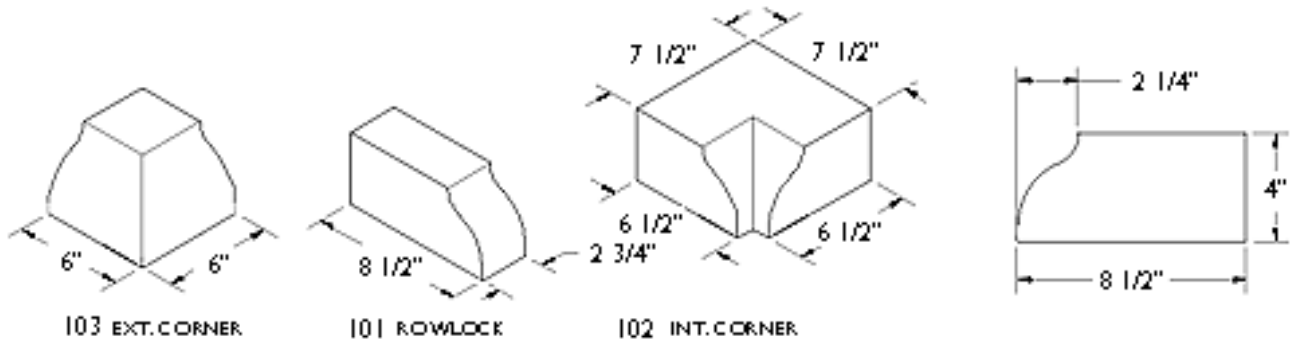
PHONE: (704) 636-8850

FAX: (704) 636-0000

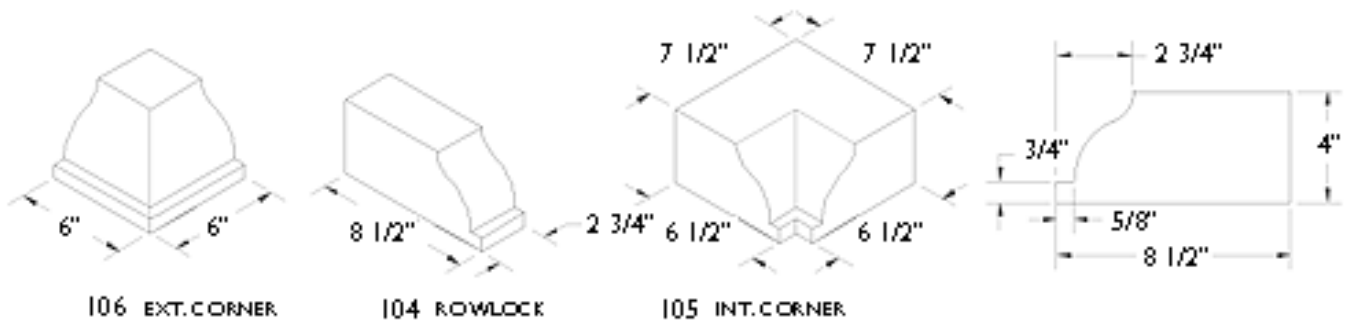
www.handmadebrick.com

Old Carolina Brick Company

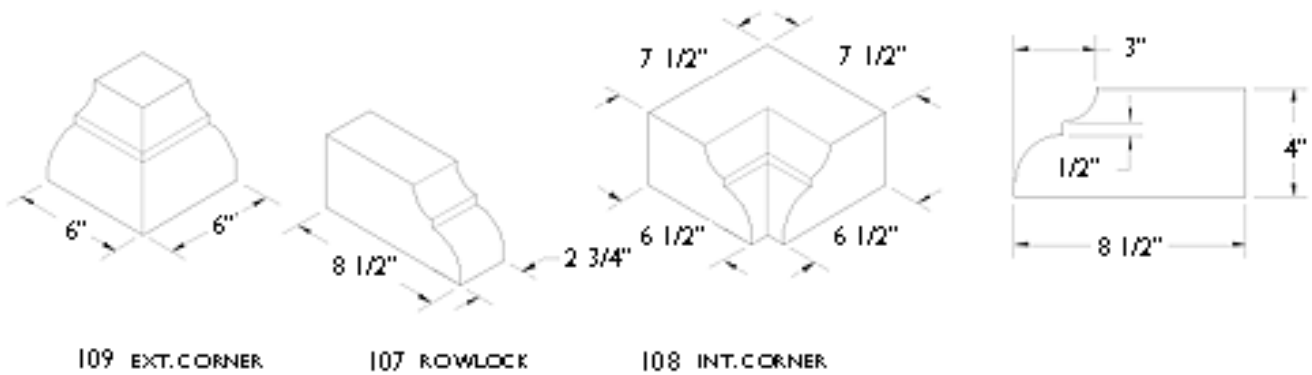
WATER TABLE TYPE "A"



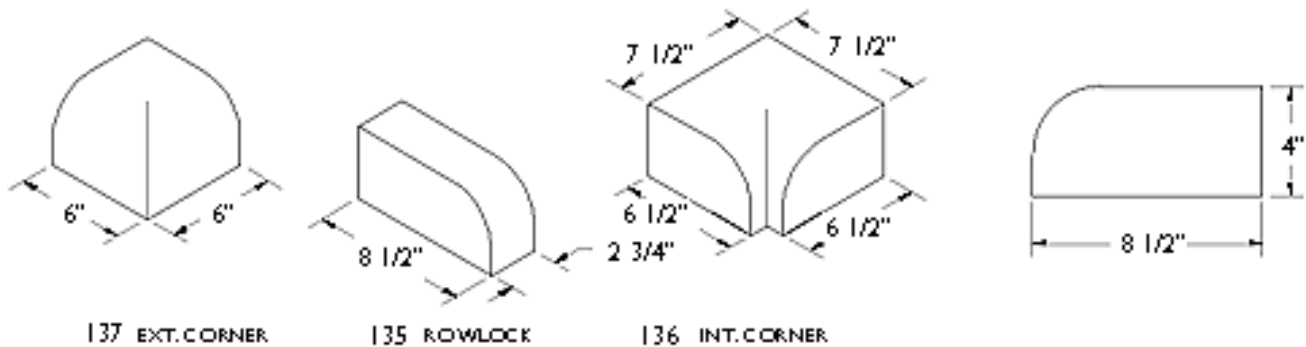
WATER TABLE TYPE "B"



WATER TABLE TYPE "C"

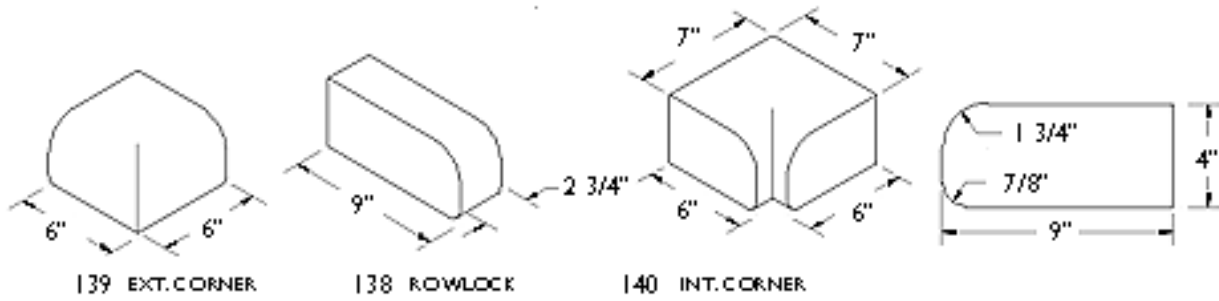


BULLNOSE ROWLOCK



Old Carolina Brick Company

DOUBLE BULLNOSE ROWLOCK

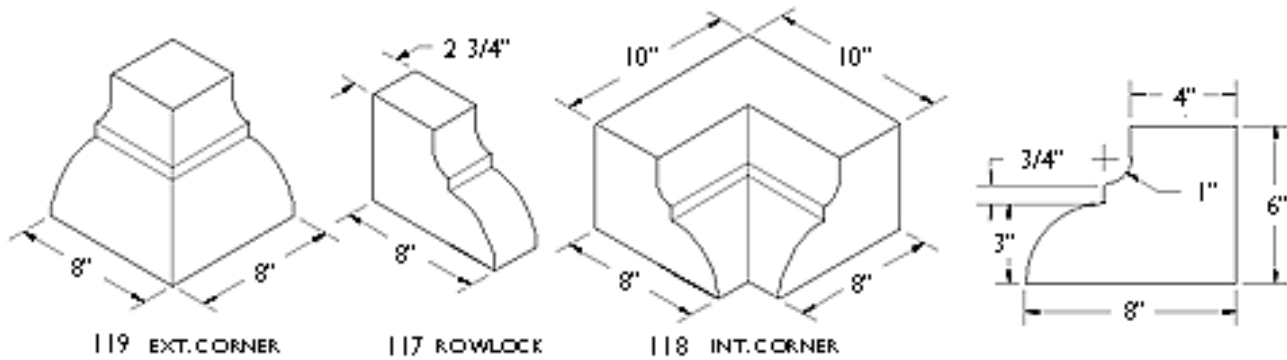


139 EXT. CORNER

138 ROWLOCK

140 INT. CORNER

COVE AND BULLNOSE ROWLOCK

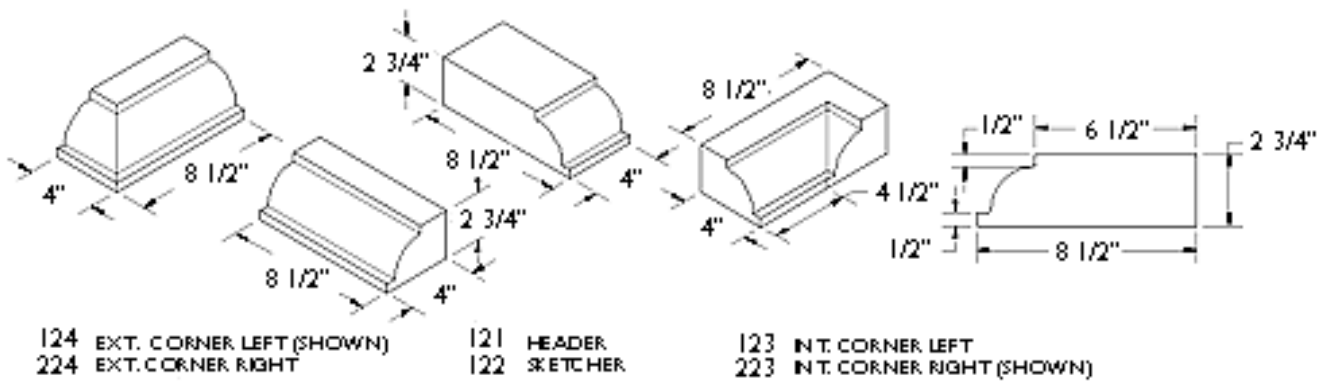


119 EXT. CORNER

117 ROWLOCK

118 INT. CORNER

MOULDED BASE TYPE "A"

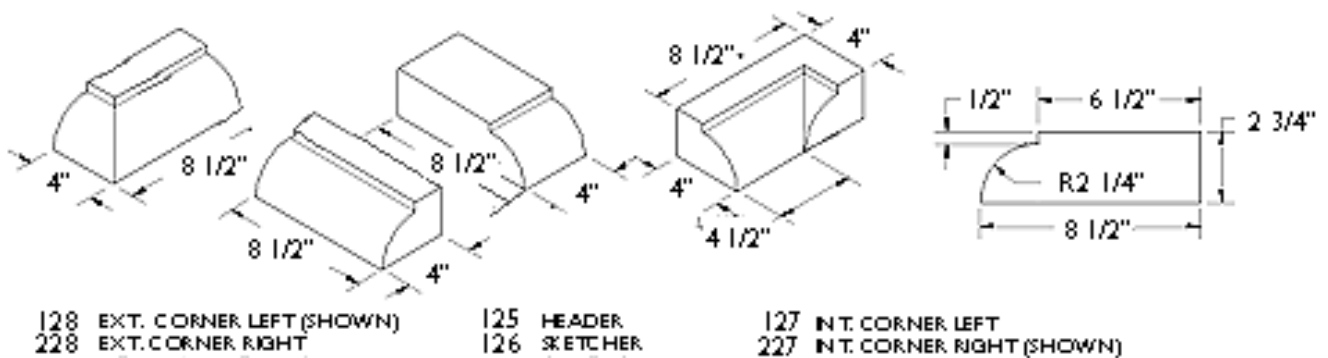


124 EXT. CORNER LEFT (SHOWN)
224 EXT. CORNER RIGHT

121 HEADER
122 SITCHER

123 INT. CORNER LEFT
223 INT. CORNER RIGHT (SHOWN)

MOULDED BASE TYPE "B"



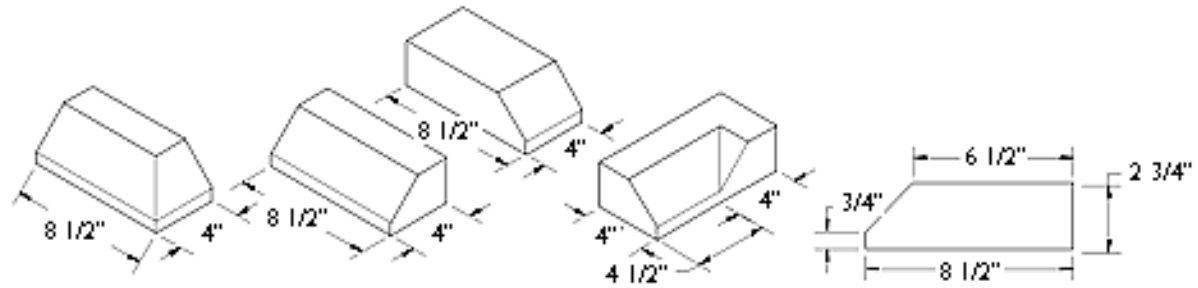
128 EXT. CORNER LEFT (SHOWN)
228 EXT. CORNER RIGHT

125 HEADER
126 SITCHER

127 INT. CORNER LEFT
227 INT. CORNER RIGHT (SHOWN)

Old Carolina Brick Company

SPLAY WATER TABLE

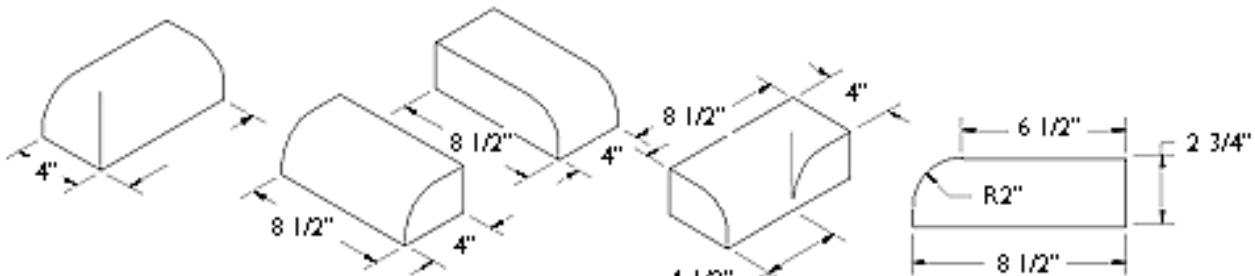


148 EXT. CORNER LEFT (SHOWN)
248 EXT. CORNER RIGHT

145 HEADER
146 SKETCHER

147 INT. CORNER LEFT
247 INT. CORNER RIGHT (SHOWN)

BULLNOSE WATER TABLE

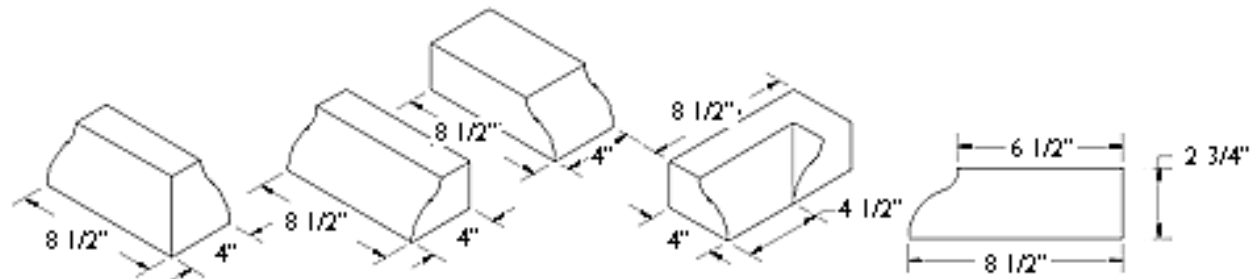


134 EXT. CORNER LEFT (SHOWN)
234 EXT. CORNER RIGHT

131 HEADER
132 SKETCHER

133 INT. CORNER LEFT
233 INT. CORNER RIGHT (SHOWN)

WATER TABLE TYPE "D"

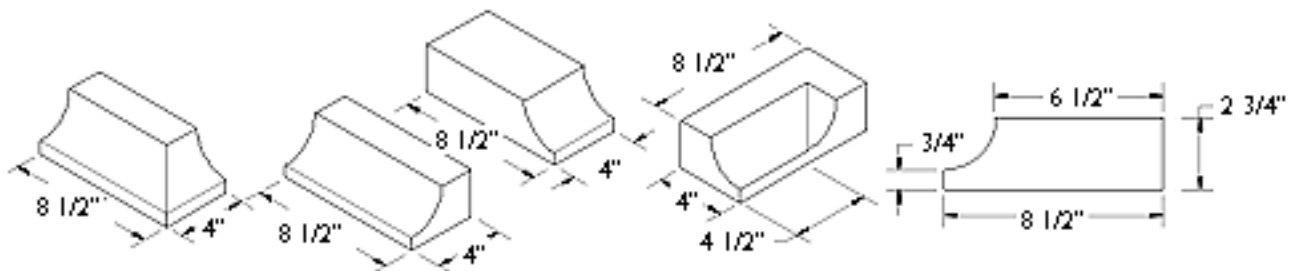


144 EXT. CORNER LEFT (SHOWN)
244 EXT. CORNER RIGHT

141 HEADER
142 SKETCHER

143 INT. CORNER LEFT
243 INT. CORNER RIGHT (SHOWN)

COVE WATER TABLE



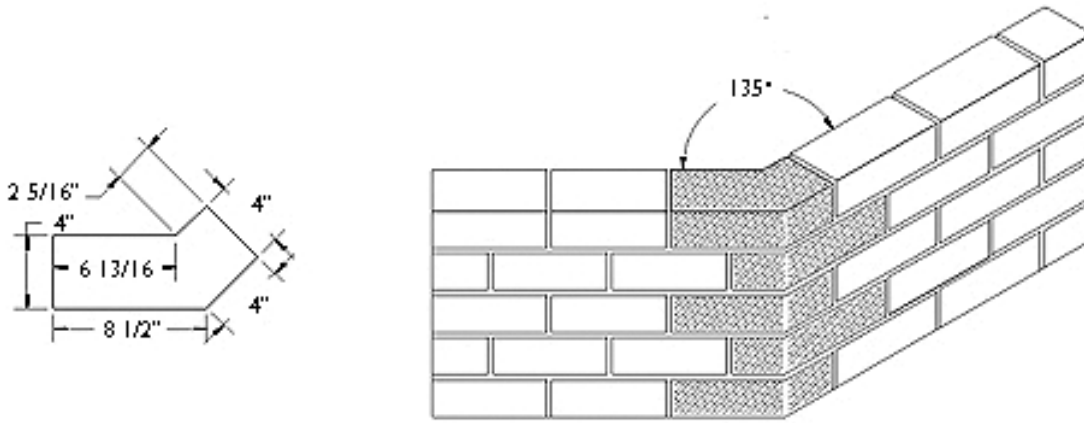
114 EXT. CORNER LEFT (SHOWN)
214 EXT. CORNER RIGHT

111 HEADER
112 SKETCHER

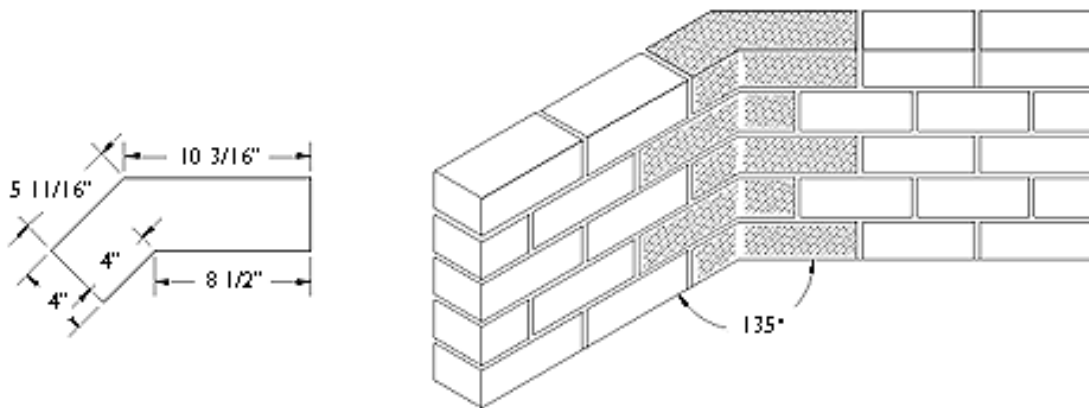
113 INT. CORNER LEFT
213 INT. CORNER RIGHT (SHOWN)

Old Carolina Brick Company

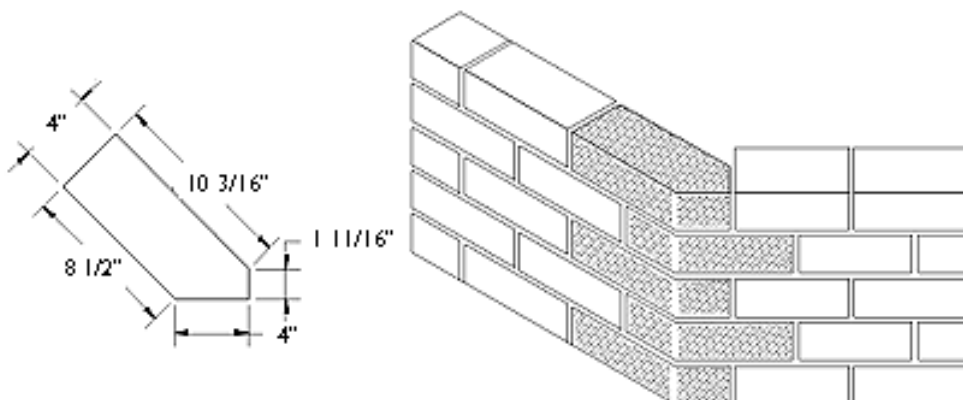
231 EXTERNAL CORNER 135°



232 INTERNAL CORNER 135°

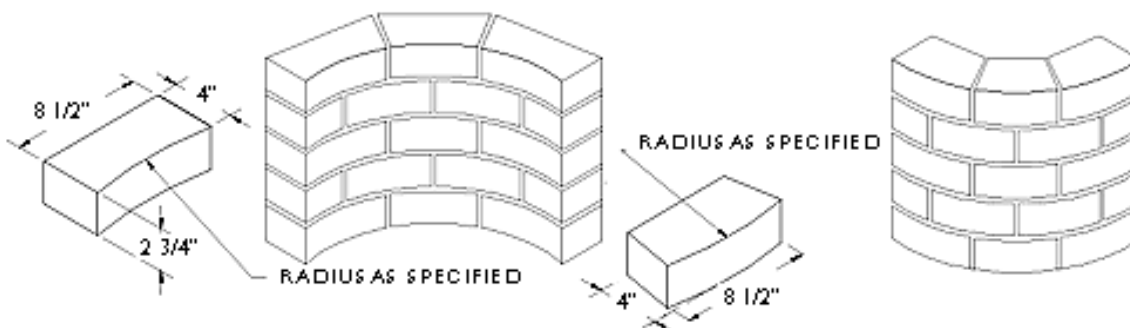


236 EXTERNAL CORNER 45°



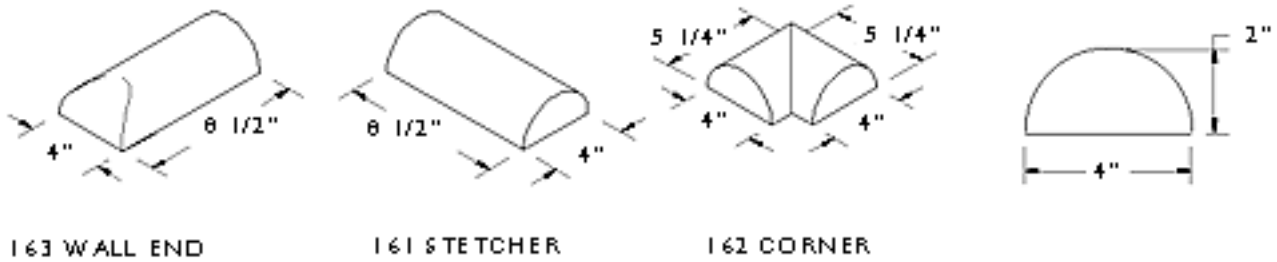
601 INSIDE RADIAL

303 OUTSIDE RADIAL

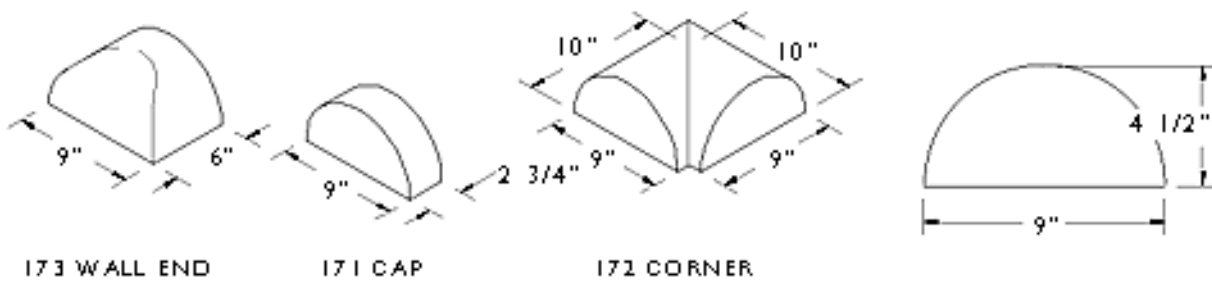


Old Carolina Brick Company

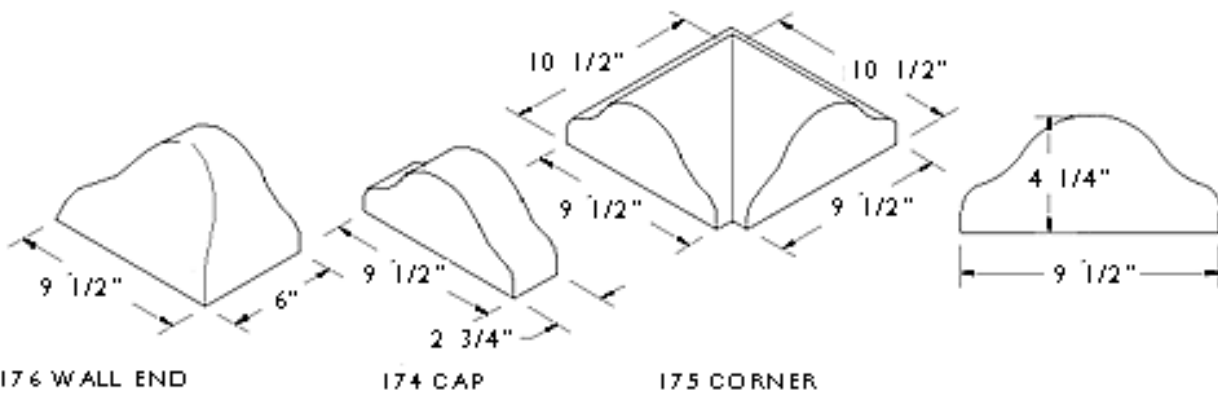
WALL COPING TYPE "1"



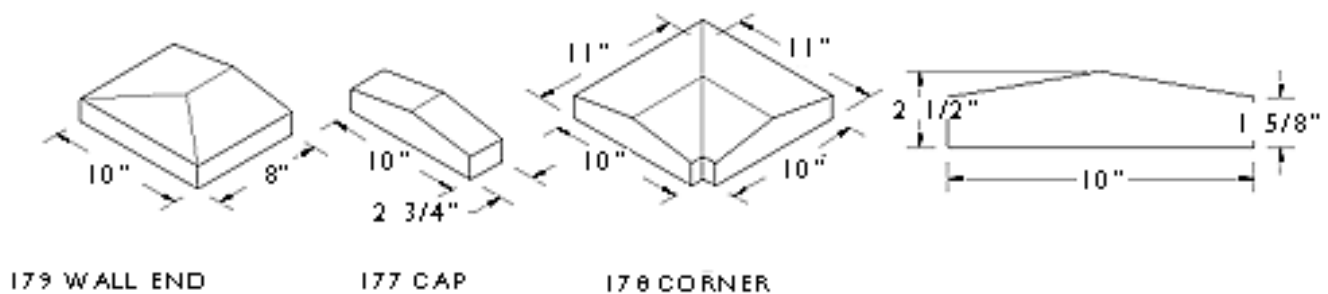
WALL COPING TYPE "2"



WALL COPING TYPE "3"

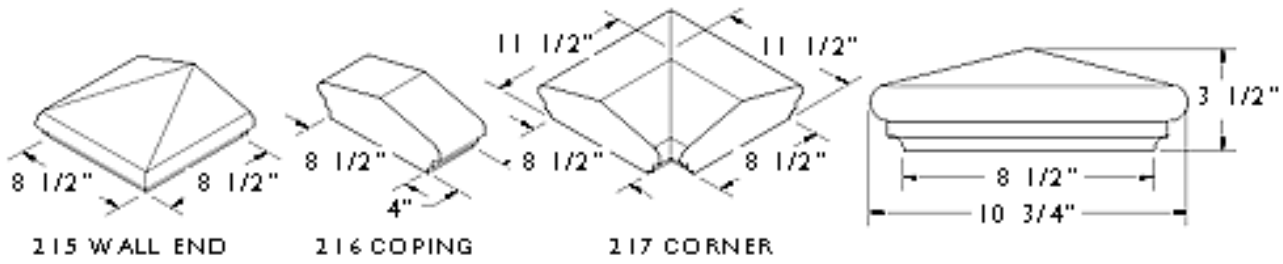


WALL COPING TYPE "A"

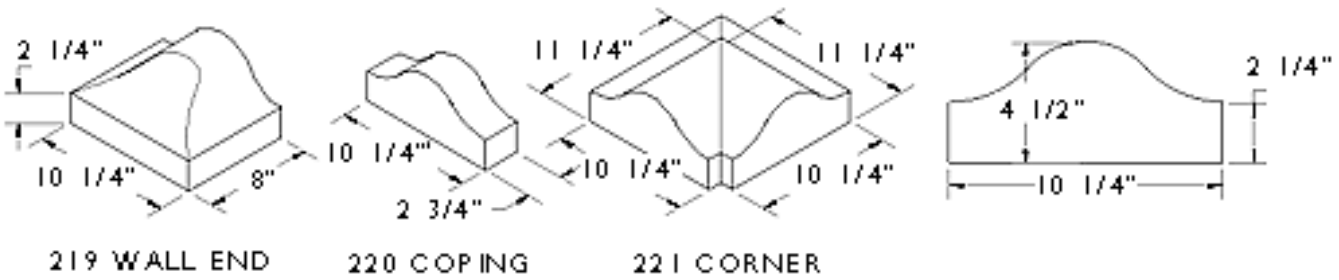


Old Carolina Brick Company

WALL COPING TYPE B

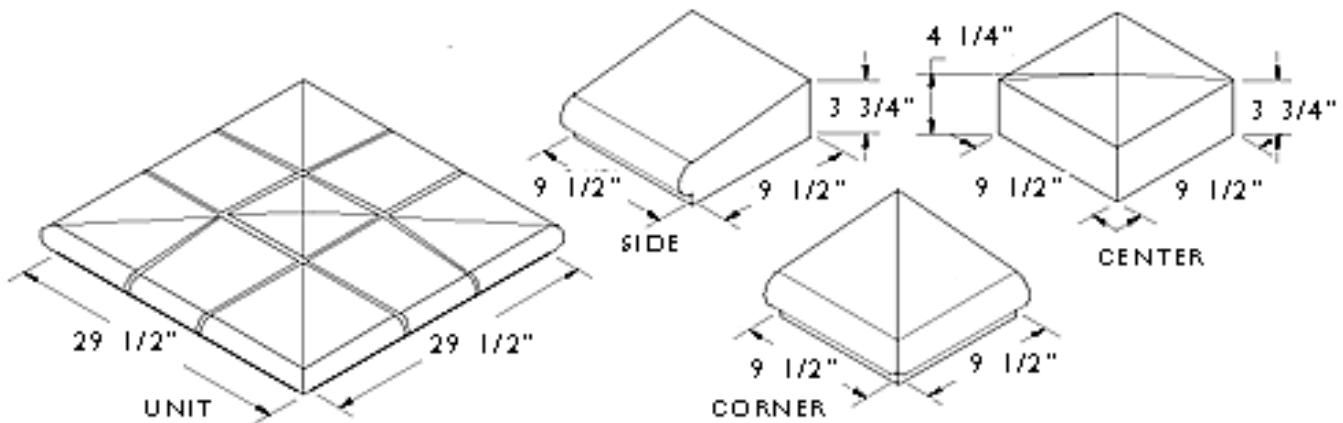


WALL COPING TYPE C

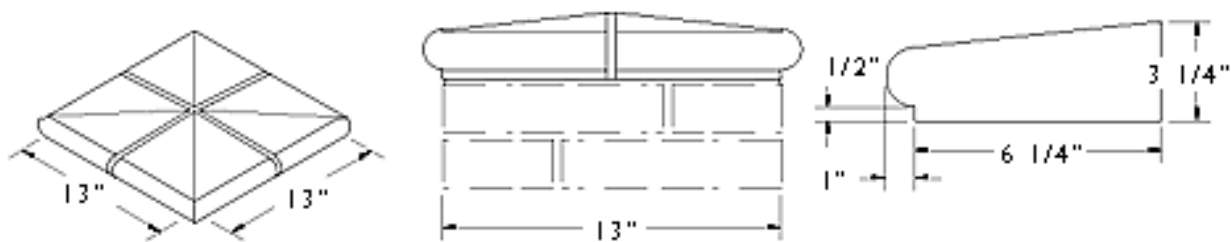


611 POST CAP 9 PIECE – 29 1/2"

1316 POST CAP 4 PIECE – 19 1/2"

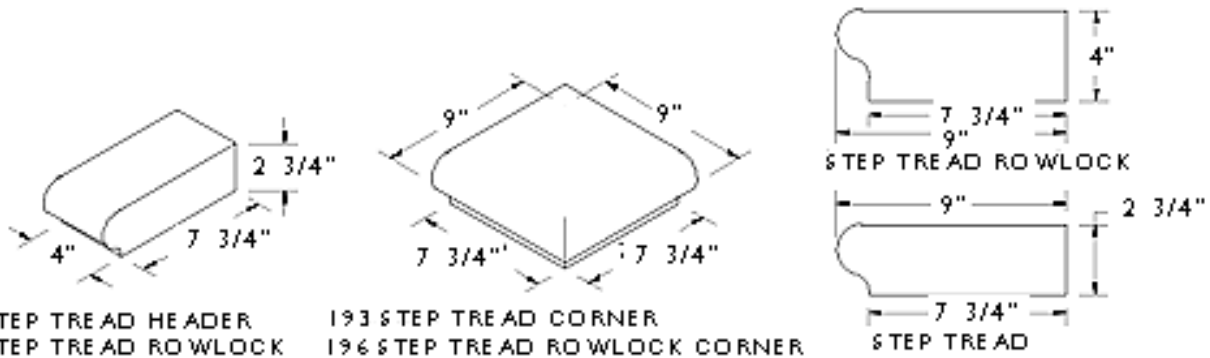


186 POST CAP 4 PIECE – 13"

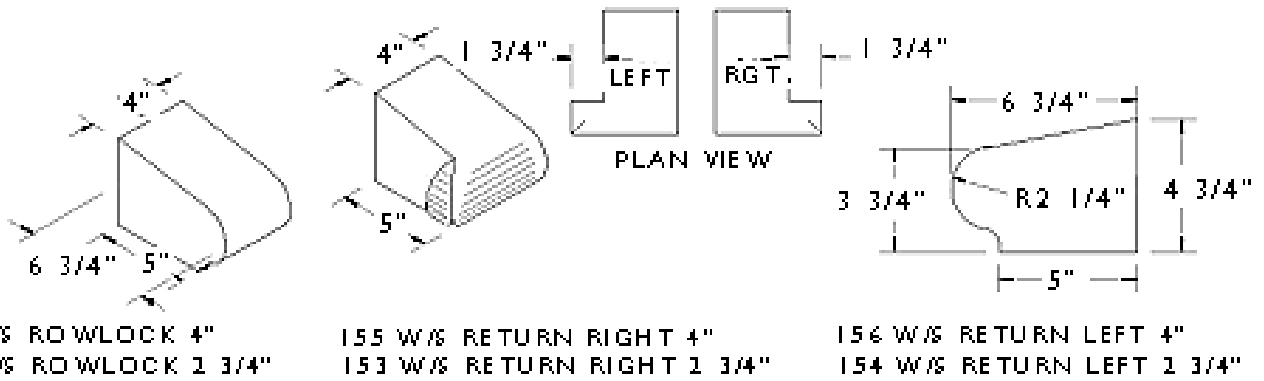


Old Carolina Brick Company

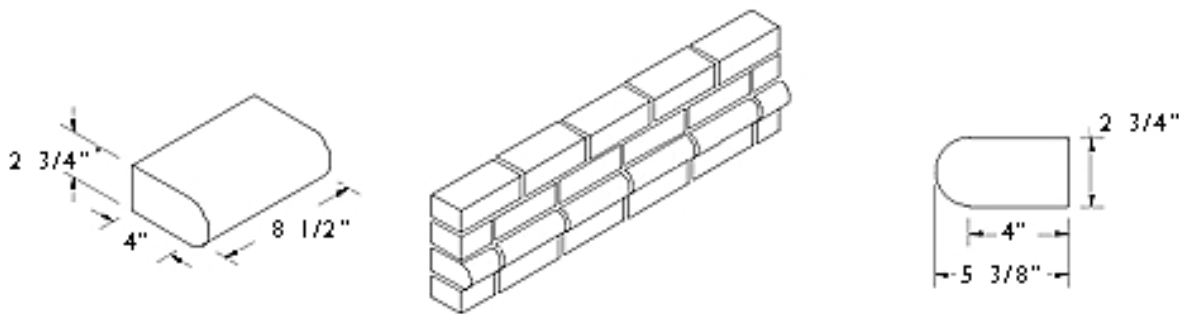
STEP TREAD



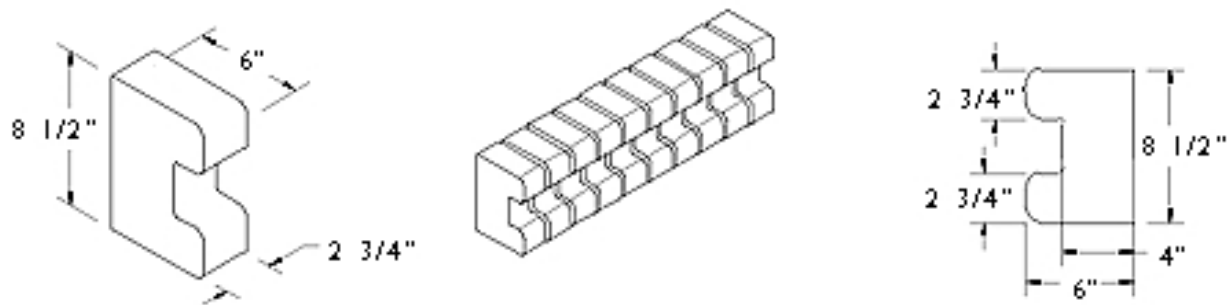
WINDOW SILL



ROUND NOSE WATER TABLE

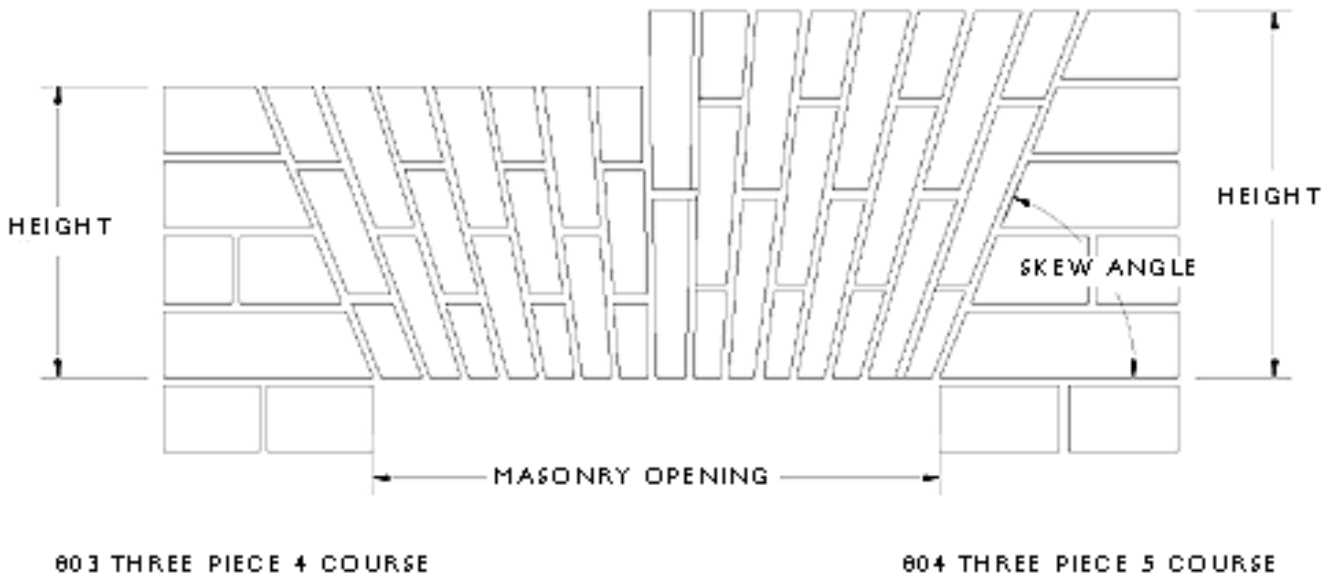
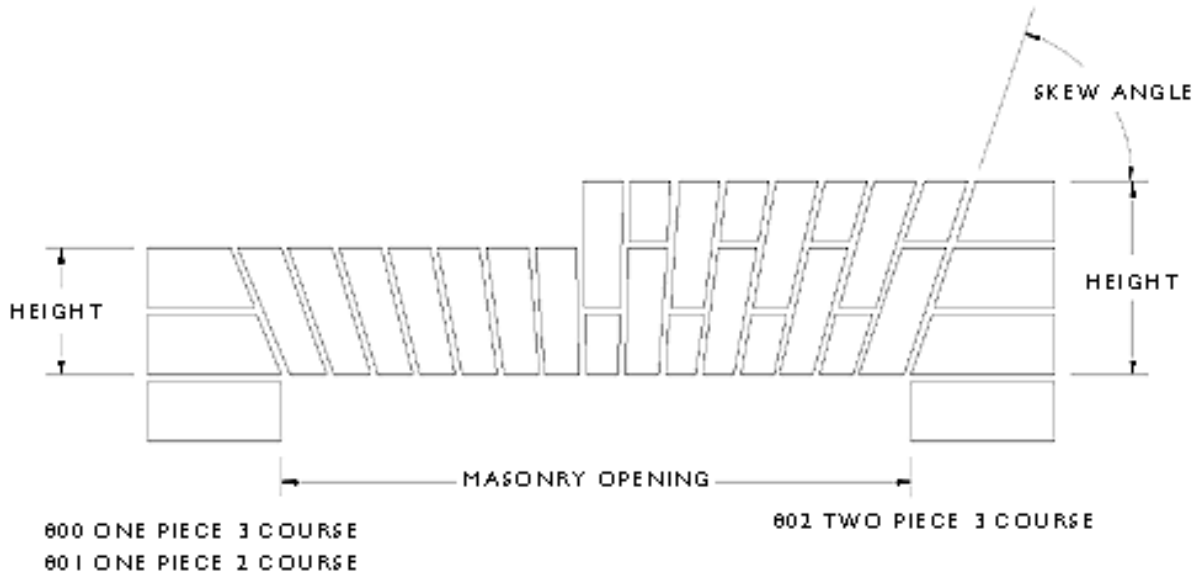


DOG BONE EDGER



Old Carolina Brick Company

JACK ARCH



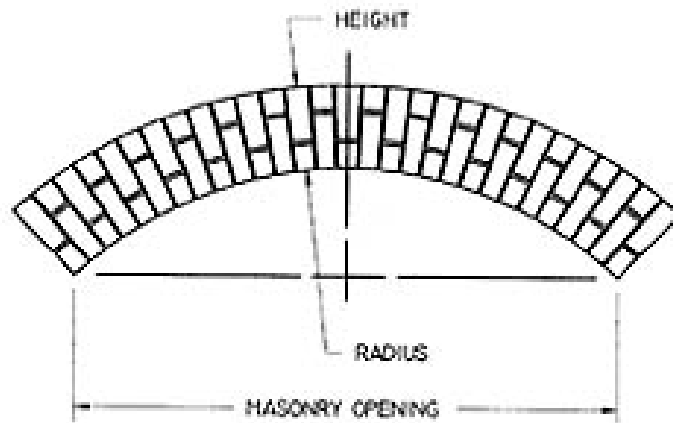
JACK ARCHES – ARE CALCULATED WITH A 68 DEGREE SKEW ANGLE.

JACK ARCHES ARE INDIVIDUALLY BOXED AND TAGGED FOR LOCATION.

ALL ARCHES ARE MANUFACTURED ONLY FROM ARCHITECTURAL DETAIL DRAWINGS AND THE FOLLOWING INFORMATION MUST BE INCLUDED:

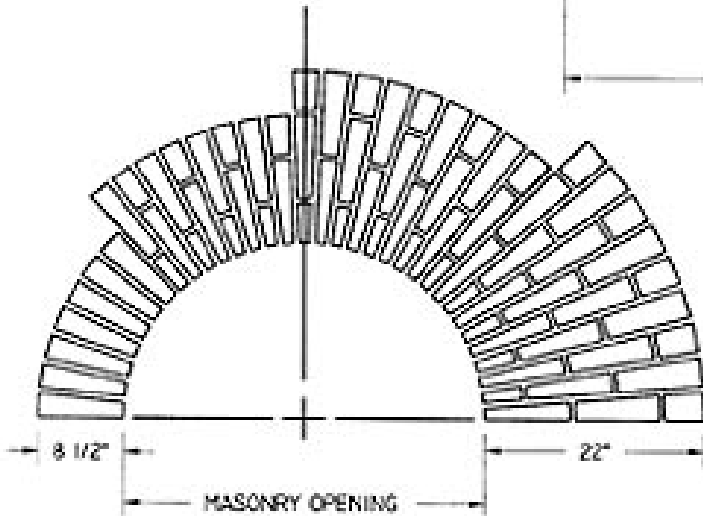
1. DIMENSION OF MASONRY OPENING
2. SKEW ANGLE
3. NUMBER OF COURSES AND HEIGHT OF SKEW
4. THICKNESS OF MORTAR JOINT IN ARCH
5. TYPE OF BRICK TO BE USED

Old Carolina Brick Company



RADIAL ARCH

- 810 ONE PIECE TO 8 1/2"
- 811 TWO PIECE TO 13"
- 812 THREE PIECE TO 17 1/2"
- 813 THREE PIECE TO 22"

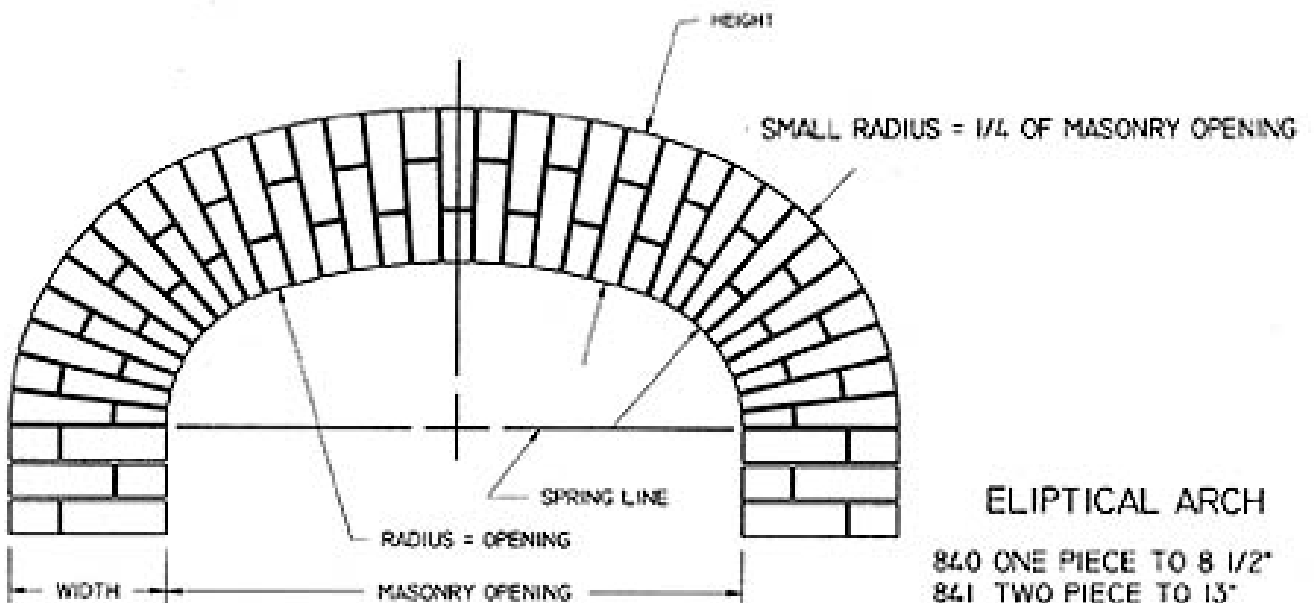


SEMI-CIRCULAR ARCH

- 820 ONE PIECE TO 8 1/2"
- 821 TWO PIECE TO 13"
- 822 THREE PIECE TO 17"
- 823 THREEPIECE TO 22"

CIRCULAR ARCH

- 830 ONE PIECE TO 8 1/2"
- 831 TWO PIECE TO 13"
- 832 THREE PIECE TO 17 1/2"
- 833 THREE PIECE TO 22"

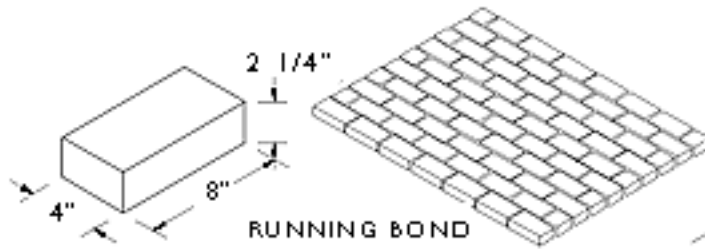


ELLIPTICAL ARCH

- 840 ONE PIECE TO 8 1/2"
- 841 TWO PIECE TO 13"
- 842 THREE PIECE TO 17 1/2"

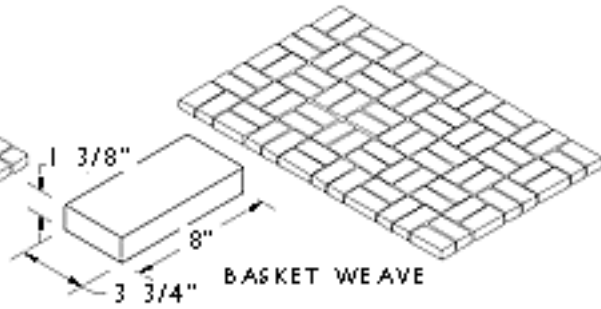
Old Carolina Brick Company

055 PATIO PAVER 4 X 8



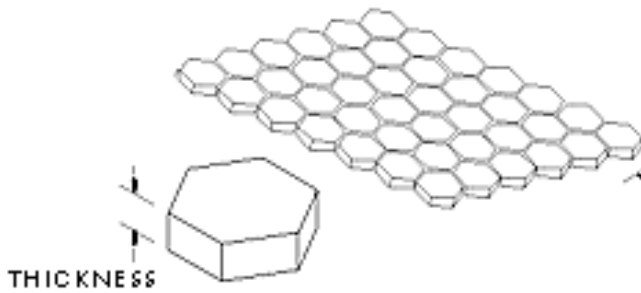
RUNNING BOND

050 THIN PAVER

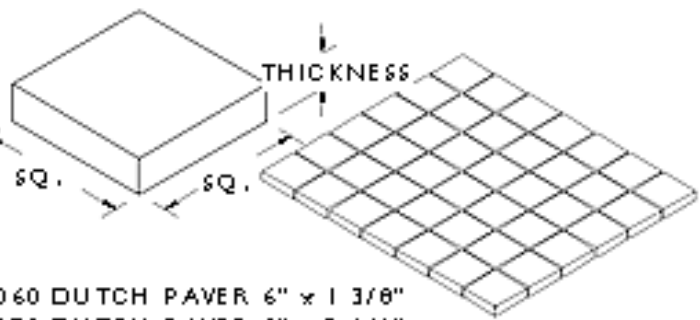


BASKET WEAVE

HEXAGON PAVER

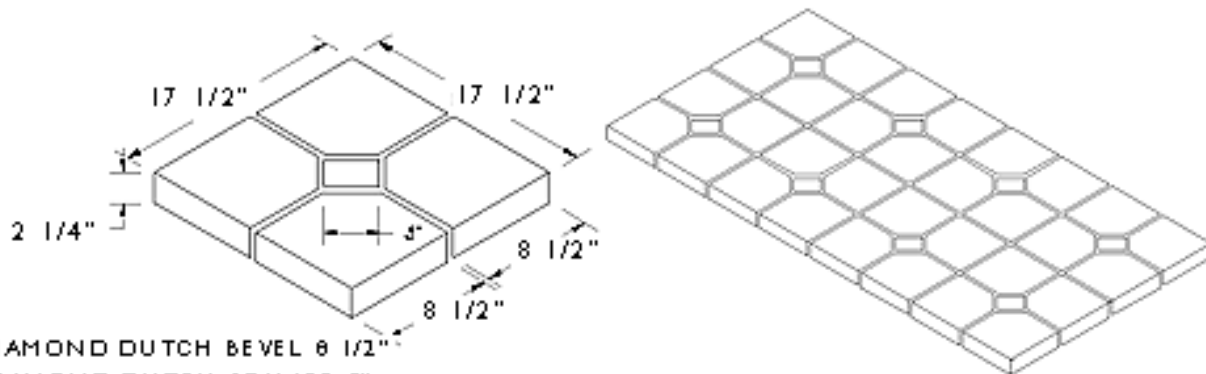


085 HEXAGON PAVER - 6" x 1-3/8"
090 HEXAGON PAVER 8" x 2 1/4"



060 DUTCH PAVER 6" x 1 3/8"
070 DUTCH PAVER 8" x 2 1/4"

DIAMOND DUTCH PAVER - 2 COMPONENTS 5 PIECES



280 DIAMOND DUTCH BEVEL 8 1/2"
281 DIAMOND DUTCH SQUARE 3"

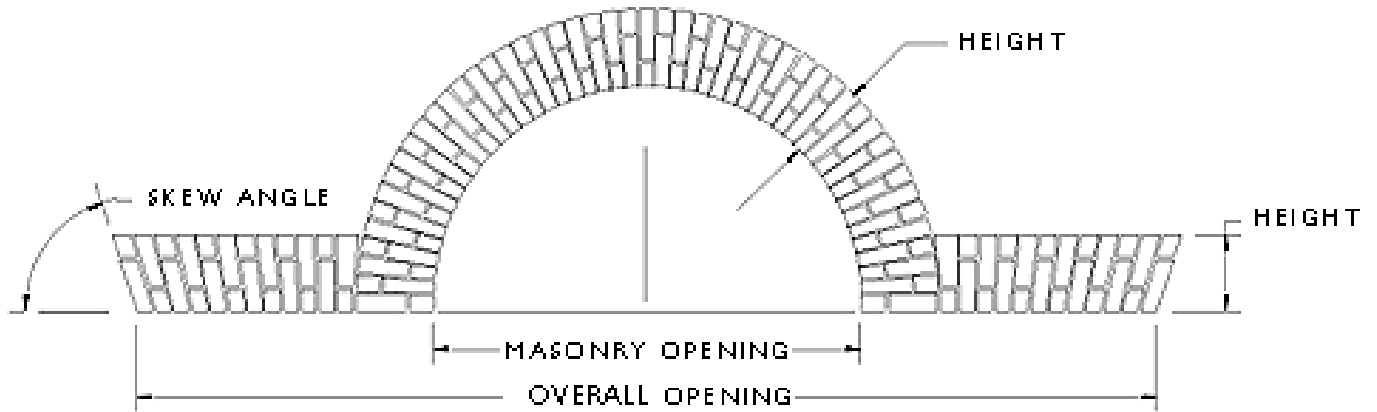
GARDEN EDGER



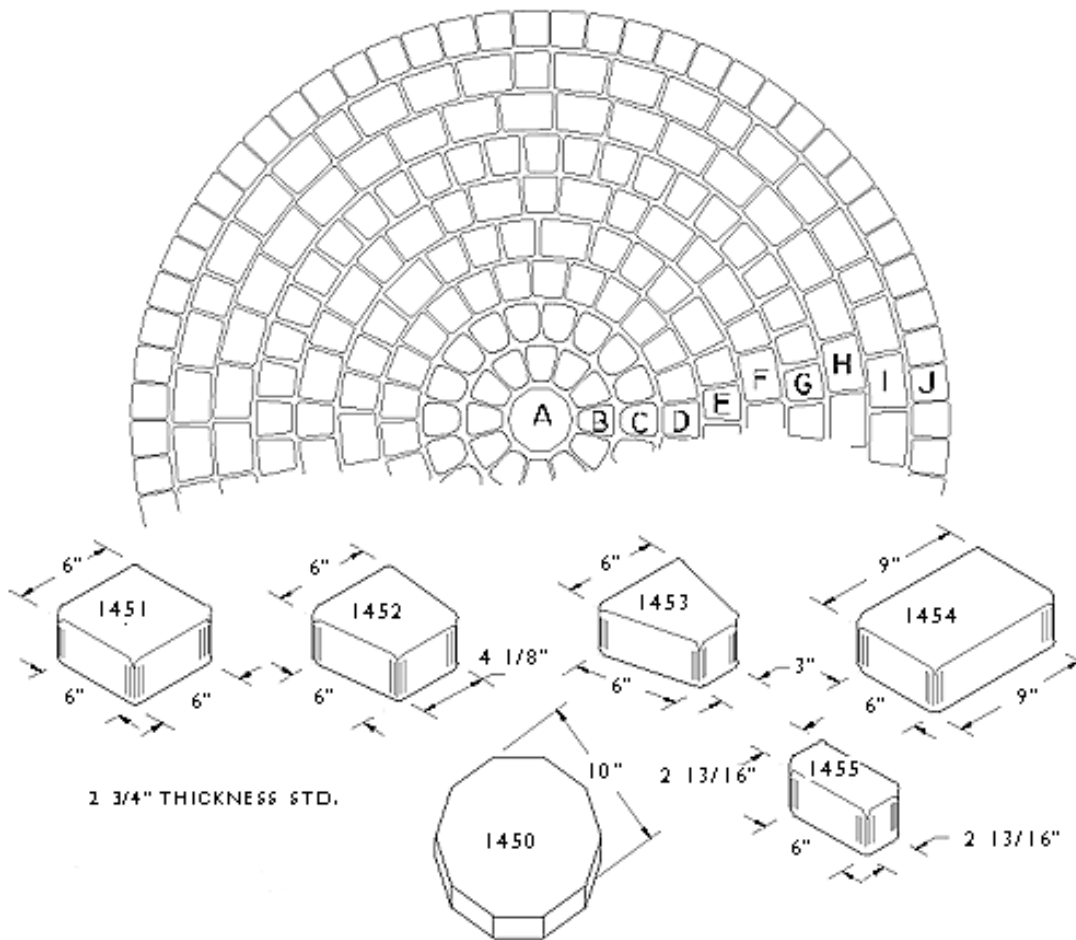
205 GARDEN EDGER

Old Carolina Brick Company

BONDED PALADIAN ARCH



ROMAN PAVERS



Old Carolina Brick Co.

475 Majolica Rd
Salisbury, NC 28147

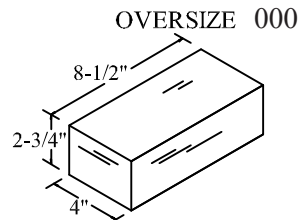
www.handmadebrick.com

(704) 636-8850

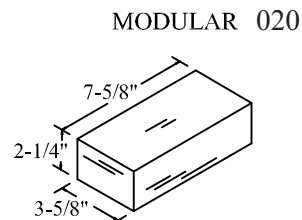
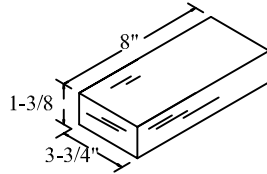
info@handmadebrick.com

OLD CAROLINA[®] BRICK COMPANY

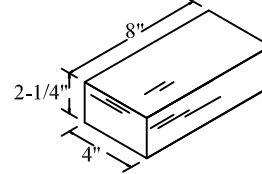
STOCK



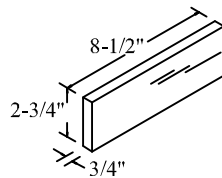
PATIO PAVER 050



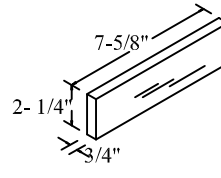
PATIO 4x8 010



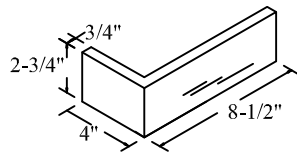
OVERSIZE THIN TB-000



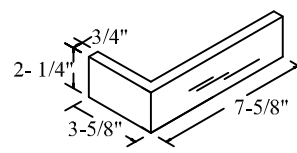
MODULAR THIN TB-020



OVERSIZE THIN CORNER TC-000

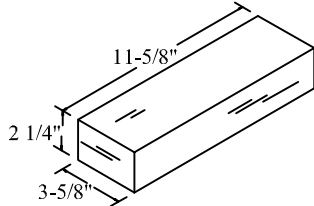


MODULAR THIN CORNER TC-020

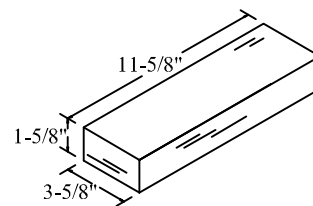


SPECIAL ORDER

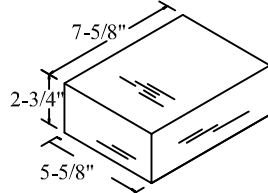
NORMAN 2293



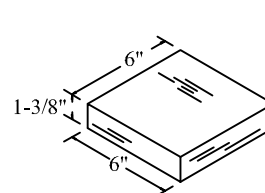
ROMAN 1642



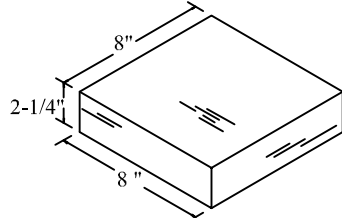
LARGE PAVER 2309



DUTCH PAVER 060



DUTCH PAVER 070



QUEEN SIZE 040

